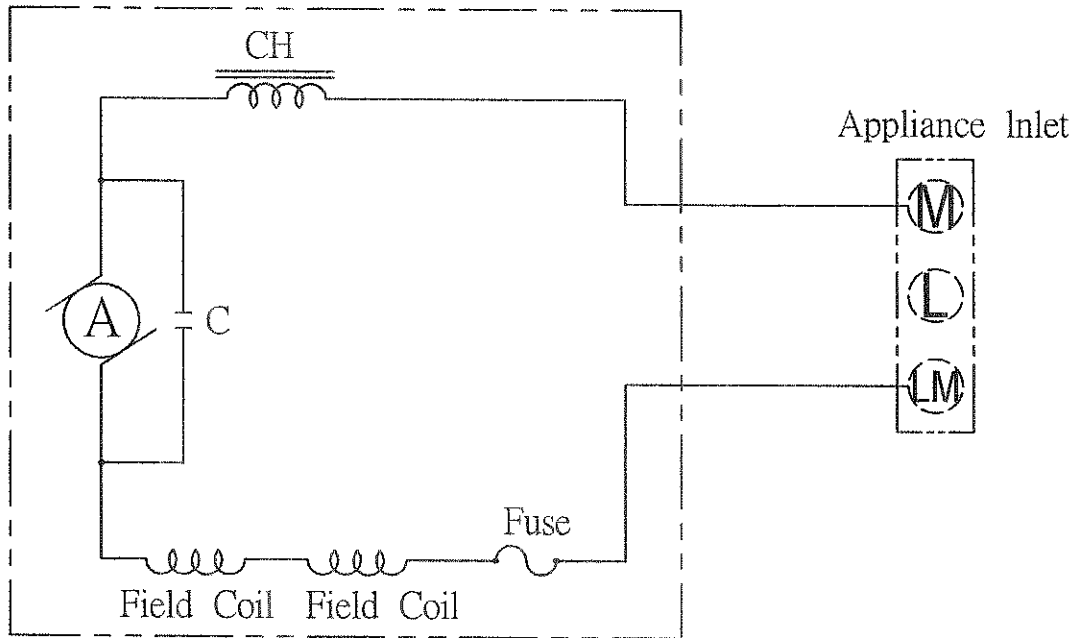


## SPECIFICATION

|                          |                                |
|--------------------------|--------------------------------|
| 1.MODEL                  | YM-61                          |
| 2.TYPE                   | COMMUTATOR MOTOR               |
| 3.DIMENSIONS             | AS PER DRAWING                 |
| 4.NAMEPLATE RATING       |                                |
| 1)VOLTAGE                | 100V AC                        |
| 2)FREQUENCY              | 50/60Hz                        |
| 3)CURRENT                | 1.25A                          |
| 4)OUTPUT                 | 60W                            |
| 5)SPEED                  | 7000/6500R.P.M.                |
| 5.MOTOR CHARACTERISTICS  |                                |
| 1)VOLTAGE                | 100V AC,50Hz                   |
| 2)INPUT                  | 120W                           |
| 3)LOAD CURRENT           | 1.25A±10%                      |
| 4)SPEED                  | 7000±1000R.P.M.                |
| 5)OUTPUT                 | 60W±10%                        |
| 6)STARTING TORQUE        | MORE THAN 19.6N · cm(2000g-cm) |
| 6.DIELECTRIC STRENGTH    | AC 1000V FOR 1 MIN.OR          |
| (Under Normal Condition) | AC 1200V FOR 1 SEC.            |
| 2)CUTOFF CURRENT         | 10mA                           |
| 7.INSULATION RESISTANCE  | MORE THAN 50MΩ                 |
| (Under Normal Condition) |                                |

# CIRCUIT DIAGRAM

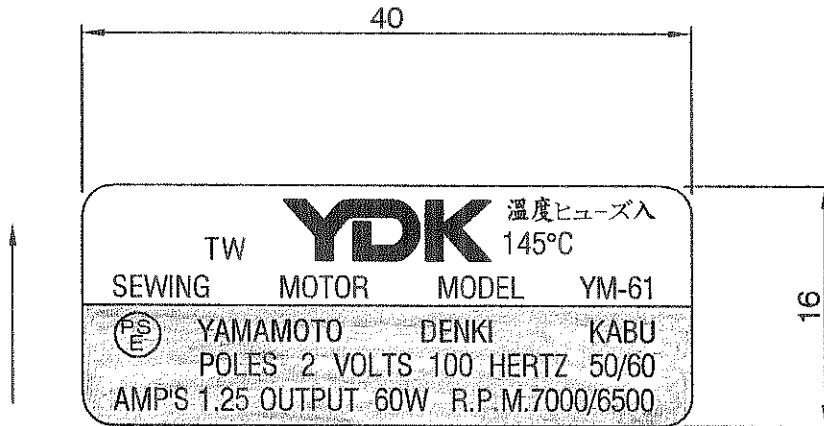


C:0.047  $\mu$ F

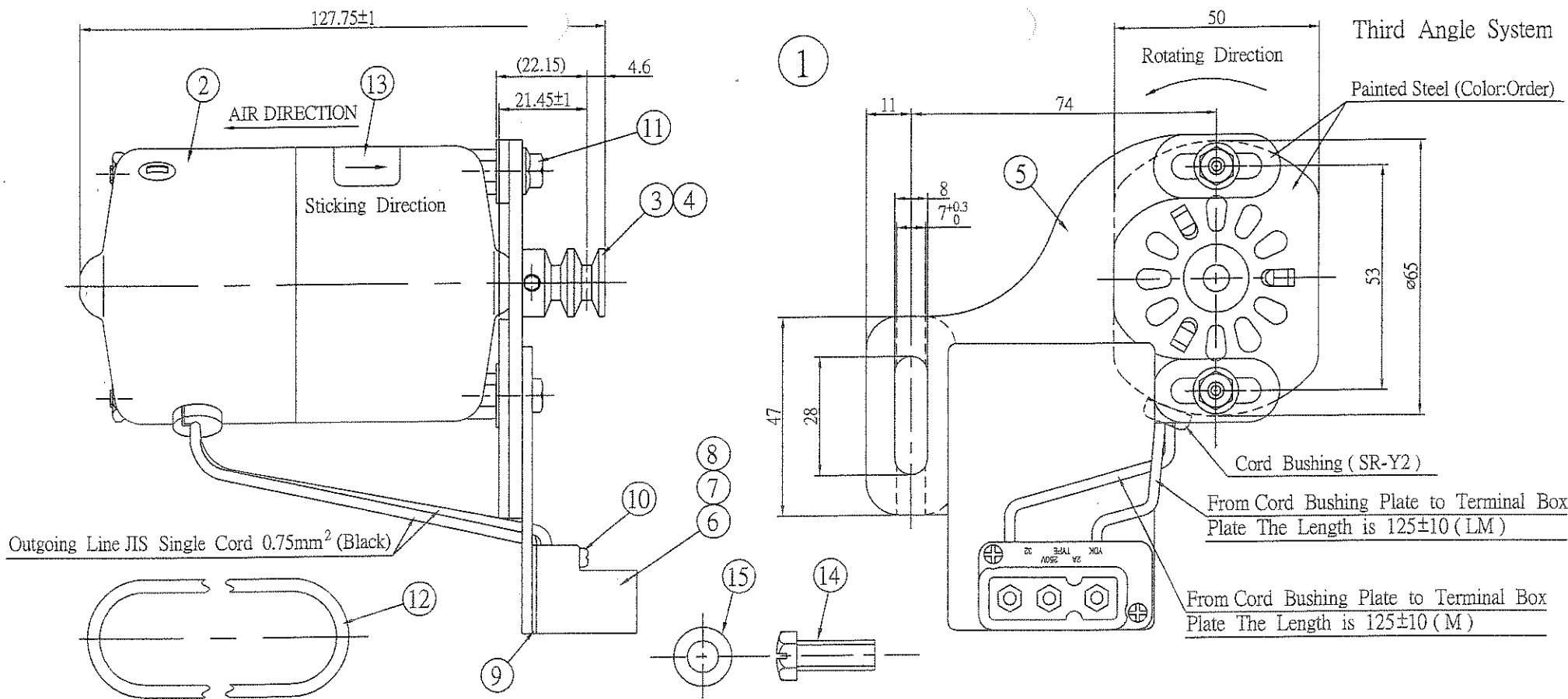
CH:DR-1 7  $\mu$ H

Fuse:2A 250V N143 145°C (Matsushita)

# MOTOR NAMEPLATE



REMARKS : SCALE IN 2/1



| NO. | NAME                        | MATERIAL   | qt | REMARKS             |
|-----|-----------------------------|--|----|---------------------|
| 1   | Assembly                    | -  | 0  | -                   |
| 2   | Motor Assembly              | -  | 1  | -                   |
| 3   | Pulley                      | Rolled Steel for General Structure                 | 1  | -                   |
| 4   | Screw                       | Carbon Steel for Machine Structural Use            | 1  | M4XP0.7XL6          |
| 5   | Bracket                     | Cold Rolled Carbon Steel Sheets                    | 1  | t3.2                |
| 6   | Appliance Plate             | Polycarbonate                                      | 1  | YDK TYLE 32         |
| 7   | Pressure Terminal Connector | Brass Sheet and Plates                             | 2  | ø3.6                |
| 8   | Screw                       | Free Cutting Brass Rod and Bars                    | 3  | M3XP0.5XL5          |
| 9   | Insulating Plate            | Vinyl  | 1  | t1                  |
| 10  | Screw                       | Low Carbon Steel Wird Rods                         | 2  | M3XP0.5XL16         |
| 11  | Nut                         | Carbon Steel Wire for Gold Heading and Cold Foring | 2  | M4XP0.7XL5          |
| 12  | V Belt                      | -  | 1  | Outside Round 350mm |
| 13  | Nameplate                   | -  | 1  | -                   |
| 14  | Screw                       | Low Carbon Steel Wire Rods                         | 1  | 9/32 InchXL19       |
| 15  | Washer                      | Cold Rolled Carbon Steel Sheets                    | 1  | ø7.5Xø14Xt1.6       |

Remarks:  
 1.DIMENSIONS IN mm.  
 2.SCALE IN 1/1.

|  |              |                                     |  |
|--|--------------|-------------------------------------|--|
| ③  |              |                                     |  |
| ②  |              |                                     |  |
| ①  |              |                                     |  |
| Date   | Remarks      | Drawer                              |  |
| Approved                                     | Checked      | Profing of Model YM-61 Sewing Motor |  |
| Checked                                      | Drawer       |                                     |  |
| L.B.5-15/12                                  | C.I.05-15/12 | Version:                            |  |
| TAIWAN YAMAMOTO ELECTRIC INDUSTRIAL CO.,LTD. |              | TC-S1360                            |  |